

## P03R series/RMS type, RMSU (RMSL) type

- RMSU with UL certificate
- Metallic shell for outdoor using
- Made of electrolytes and aluminum foils
- Positive pressure safety vent
- High stability and reliability
- M3 screws or faston terminals leading
- Discharge resistor optional



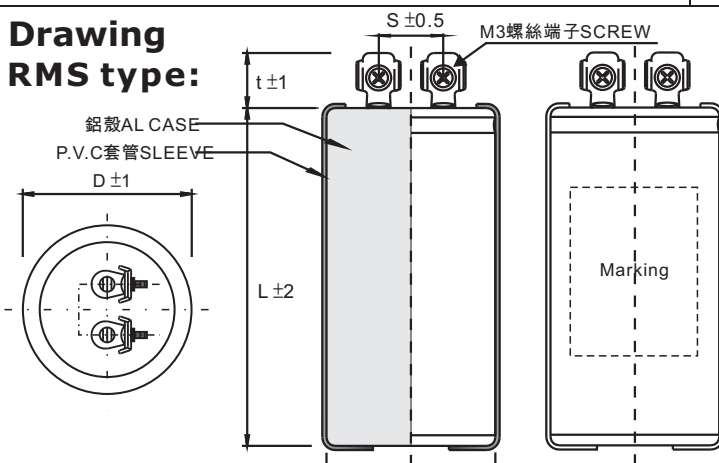
Application: RMS, RMSU and RMSL with features of compact size and high stability that are widely used as power factor correction for motor starting in electric motor such as compressor, motor and pump and be used to the vertical cloth cutting machine especially. 馬達啟動電容器，依照日本規範 JIS4905 進行製造與品管，高電容量與穩定性，長壽命，適用於壓縮機、馬達、吊車與泵浦，亦完全適合作為電

**Specifications** 剪刀、裁切機中的伊士文電容等用途。其中 RMSU 亦通過美國 UL 安規測試，安全可靠。

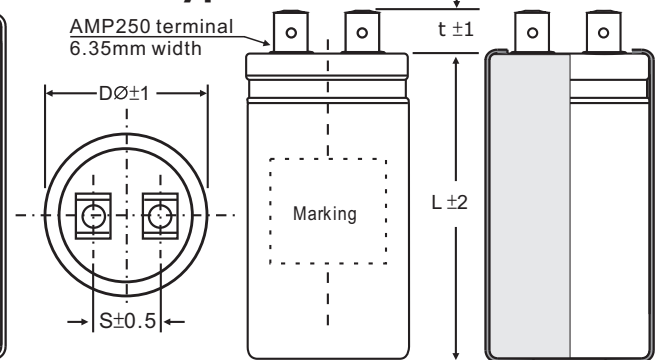
Standard/ 適用標準	JIS4905, UL810, CNS4238
Capacitance range/ 電容量範圍	25 ~ 1500 $\mu$ F
Capacitance tolerance/ 容量誤差	+20-0% standard or +/-10% option
Rated voltage range/ 額定電壓範圍	110 ~ 330VAC at 50/60Hz
Temperature range/ 溫度範圍	-25 ~ +65 $^{\circ}$ C
Tan $\delta$ % / 損失角	Shall not exceed 0.1 or 10% at 120Hz, 25 $^{\circ}$ C
Withstand between terminals/ 端子間耐壓	Rated voltage $\times$ 140% for 30 sec
Withstand terminal to case/ 端子外殼間耐壓	2000VAC for 60 sec
Leading/ 引線方式	Terminals with M3 screw mounting or AMP250
Mounting/ 安裝方式	Bracket

### Drawing

#### RMS type:



#### RMSU type:



### Dimension (Unit: mm) $D \pm 1$

Capacitance ( $\mu$ F)	125 Vac		Capacitance ( $\mu$ F)	250 Vac	
	D $\Phi$	L		D $\Phi$	L
100	35	60	100	35	70
150	35	60	150	40	70
200	35	70	200	40	70
250	35	70	250	40	70
300	40	90	300	45	90
400	40	90	400	45	90

Above dimensions are according to our standard design and might be altered without notice.

Contact with us for details and dimensions further. (請來電聯繫客製品或更多詳細規格與完整尺寸表)